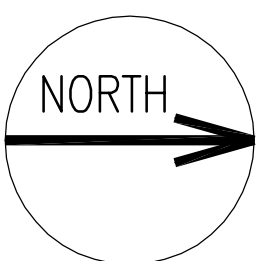
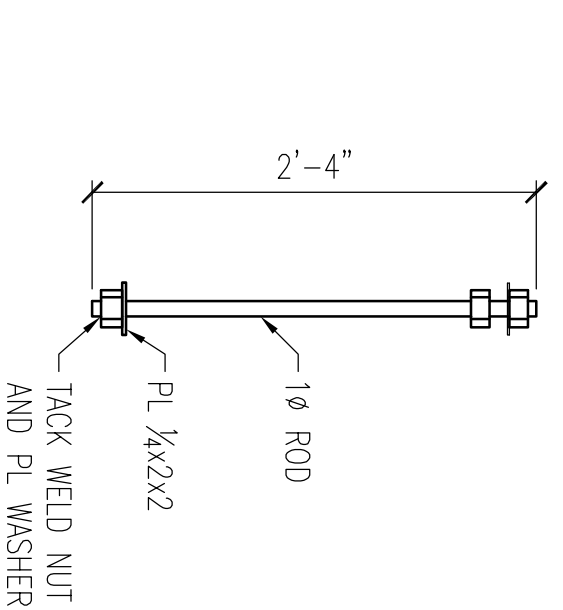
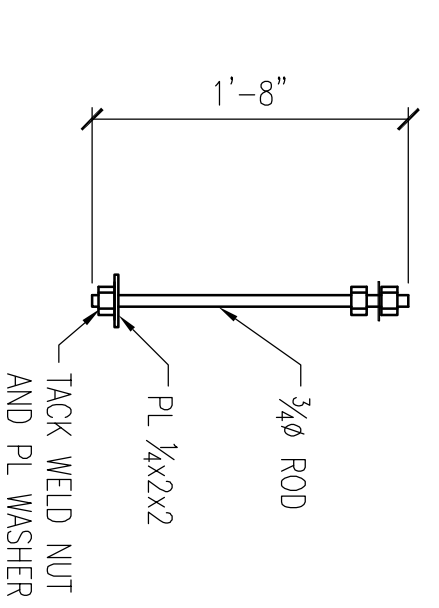
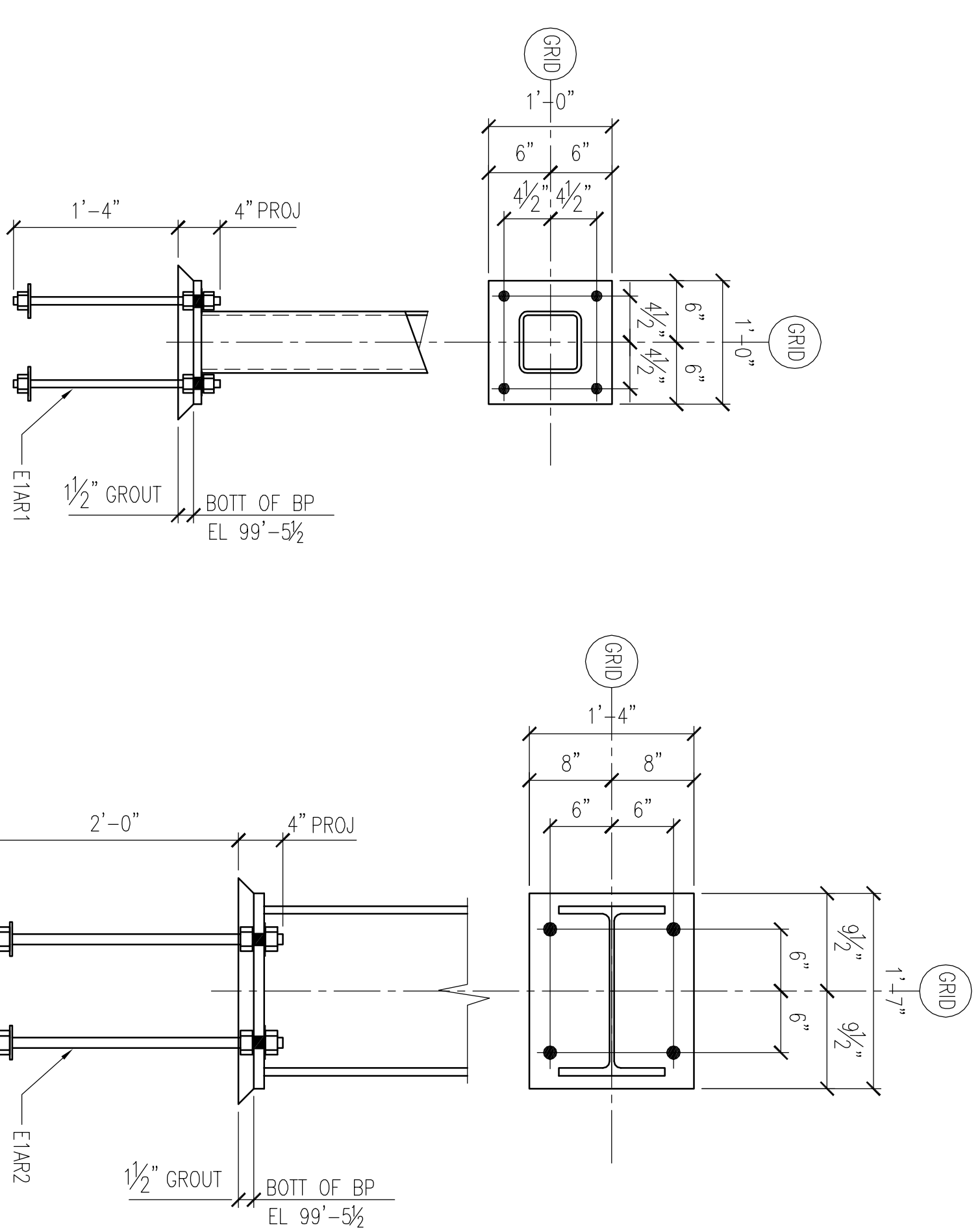


**ANCHOR ROD SETTING PLAN**



**CONTRACTOR NOTE:**  
 AT EACH ANCHOR ROD SETTING, THE DETAIL LETTER & BOTTOM OF BASE PLATE ELEVATION IS SHOWN ABOVE THE LINE. THE COLUMN SIZE IS SHOWN BELOW THE LINE.



**NOTE:**  
 VERIFY ALL DIMENSIONS, CONDITIONS & QUANTITIES  
 THE FINAL WORK OF THESE DRAWINGS IS TO PRESENT FOR INTERPRETATION OF THE DESIGN INTENT AS IT RELATES TO THE  
 INDUSTRY PRACTICES. THESE DRAWINGS AND ALL DIMENSIONS, MATERIALS AND CONDITIONS ARE FOR INFORMATION ONLY.  
 TO PRODUCTION OF MATERIALS. NICKS WELDING AND FABRICATING, INC. MAKES NO CLAIM AND TAKES NO RESPONSIBILITY  
 FOR THE ACCURACY OR COMPLETENESS OF THE INFORMATION PROVIDED.

**NOTE:**  
 NOTICE TO CONTRACTORS & Erectors:  
 MATERIALS SHALL BE PROVIDED AS SHOWN UNLESS OTHERWISE SPECIFIED. THE WORK OR FABRICATION MATERIALS  
 WILL NOT BE ACCEPTED UNLESS SPECIFICALLY APPROVED BY NICKS WELDING & FABRICATING, INC. IN WRITING BEFORE ANY  
 SHOP-COPYING AND REVISIONS.

| MATERIAL SPEC. UN.              |       | REVISIONS |  | JOB NAME     |  |
|---------------------------------|-------|-----------|--|--------------|--|
| W/SHAPES                        | A992  | DATE:     |  | CONTRACTOR:  |  |
| CHANNELS                        | A36   | DATE:     |  | ENGINEER:    |  |
| ANGLES                          | A36   | DATE:     |  | DESIGNED BY: |  |
| RECT. & SQ. HSS                 | A500B |           |  |              |  |
| ROUND HBS                       | A500B |           |  |              |  |
| PIPE                            | A53B  |           |  |              |  |
| PLATES                          | A36   |           |  |              |  |
| BARS                            | A36   |           |  |              |  |
| FINISH: 1 GREY SPOT COAT U.A.O. |       |           |  |              |  |
| TOLER: 1/8\"/>                  |       |           |  |              |  |

| SHEET DESCRIPTION: ANCHOR ROD SETTING        |  | JOB No:   |  |
|--|--|-----------|--|
| <b>NICKS WELDING &amp; FABRICATING, INC.</b> |  | 902       |  |
| 18047 PROSPECT RD. HILTON, WI 54635          |  | SHEET No: |  |
| TEL: (715) 563-2200 FAX: (715) 563-2201      |  | E1        |  |