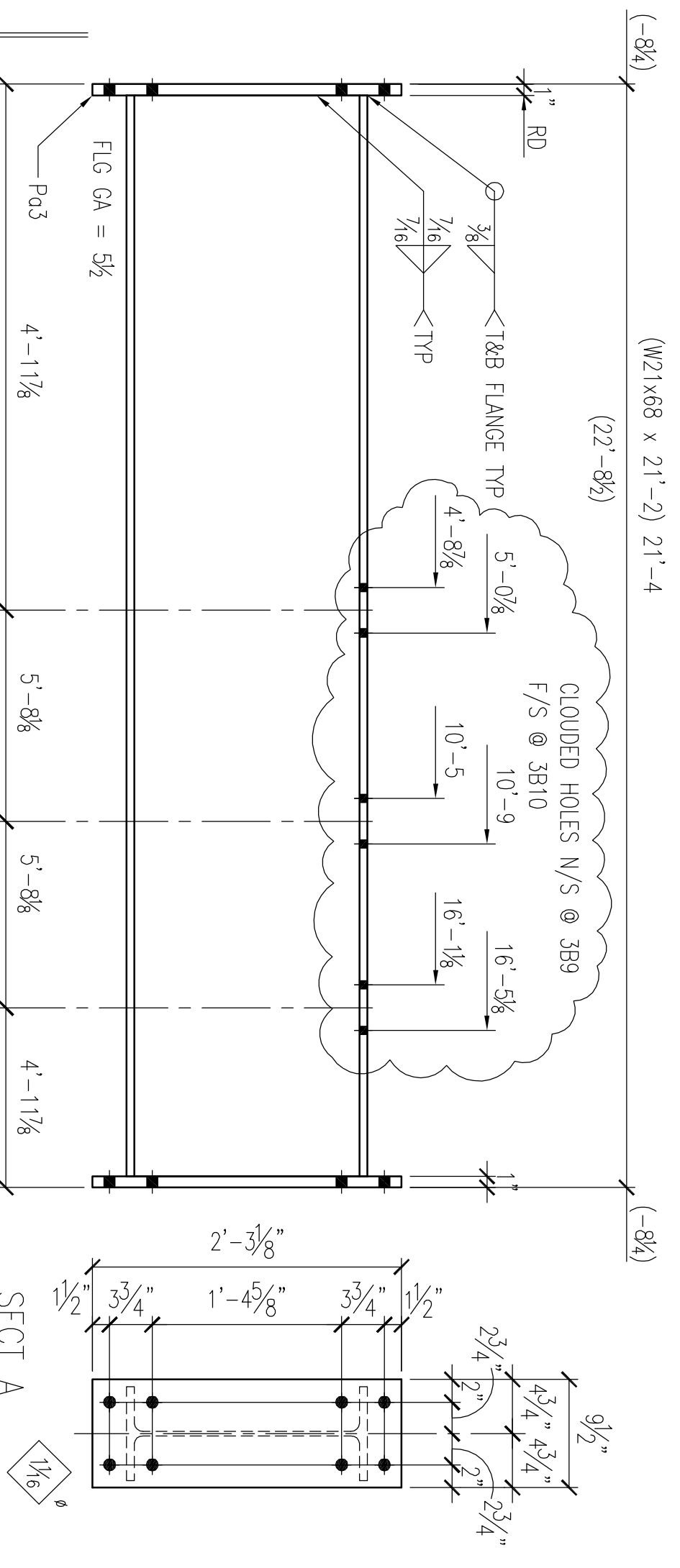
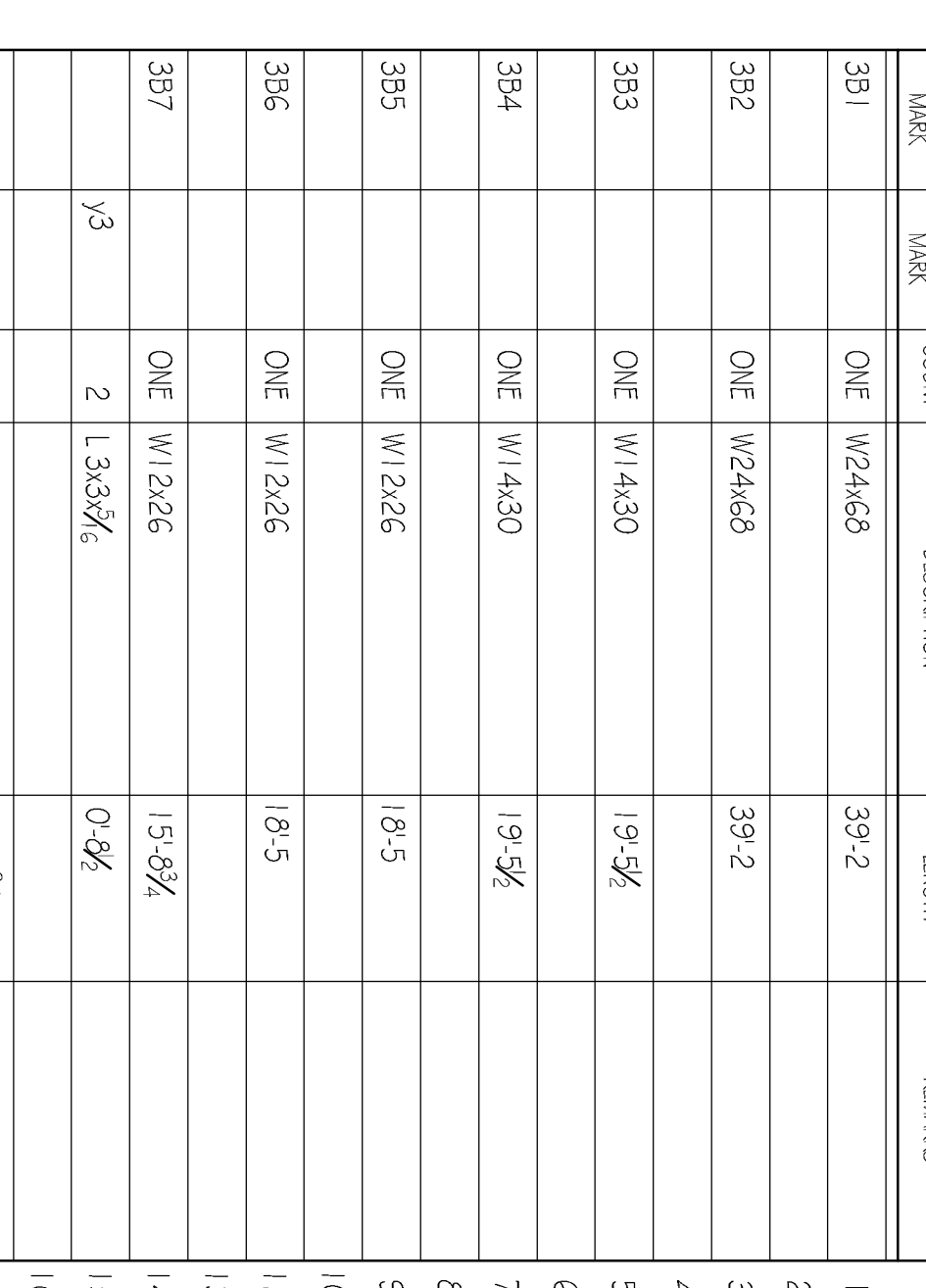


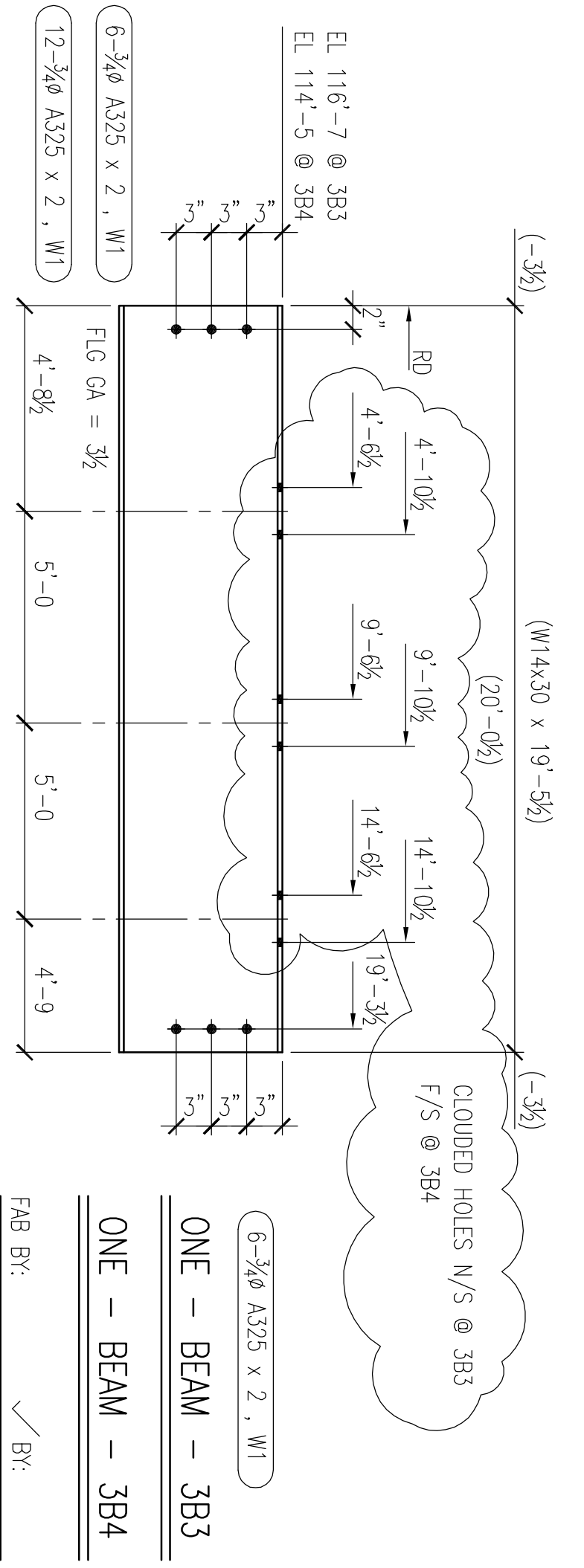
(W24x68 x 39'-2)  
 (39'-9)  
 CLOUDED HOLES N/S @ 3B1  
 F/S @ 3B2  
 4'-7 1/2  
 9'-7 1/2  
 14'-7 1/2  
 19'-7 1/2  
 24'-7 1/2  
 29'-7 1/2  
 34'-7 1/2  
 39'-0  
 6-3/4" A325 x 2, W1  
 ONE - BEAM - 3B1  
 ONE - BEAM - 3B2  
 FAB BY: ✓ BY:



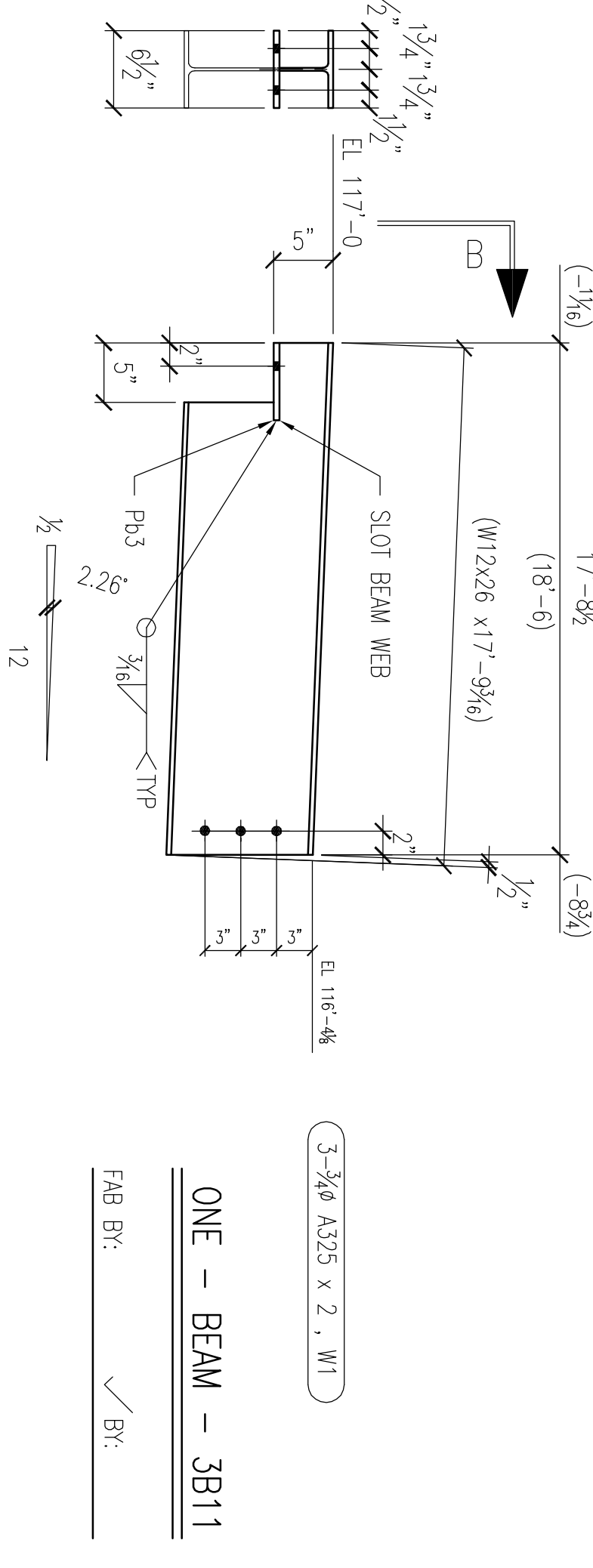
(W21x68 x 21'-4)  
 (21'-4)  
 CLOUDED HOLES N/S @ 3B9  
 F/S @ 3B10  
 4'-8 1/2  
 10'-5  
 16'-1 1/2  
 21'-4  
 16-1# A325 x 3/4, W1  
 ONE - BEAM - 3B9  
 ONE - BEAM - 3B10  
 FAB BY: ✓ BY:



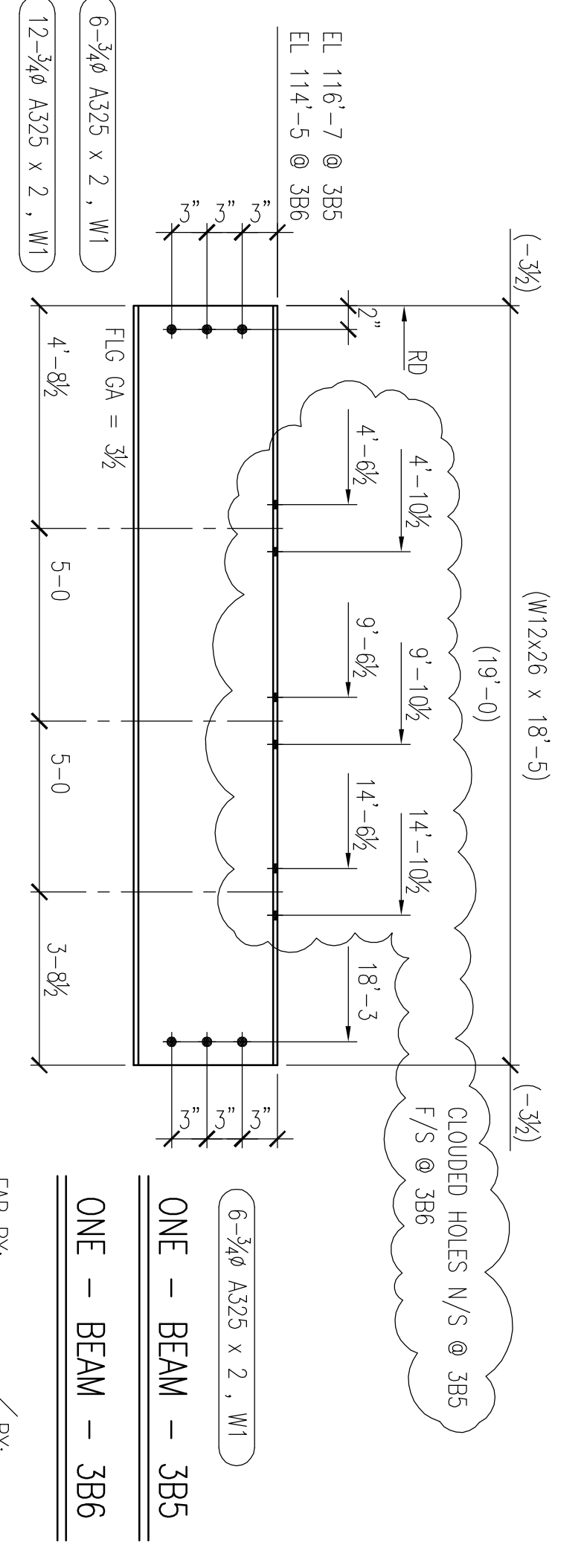
(W12x26 x 17'-9)  
 (17'-9)  
 CLOUDED HOLES N/S @ 3B11  
 F/S @ 3B12  
 17'-0  
 17'-9  
 18'-6  
 2-3/4" A325 x 2, W1  
 ONE - BEAM - 3B11  
 FAB BY: ✓ BY:



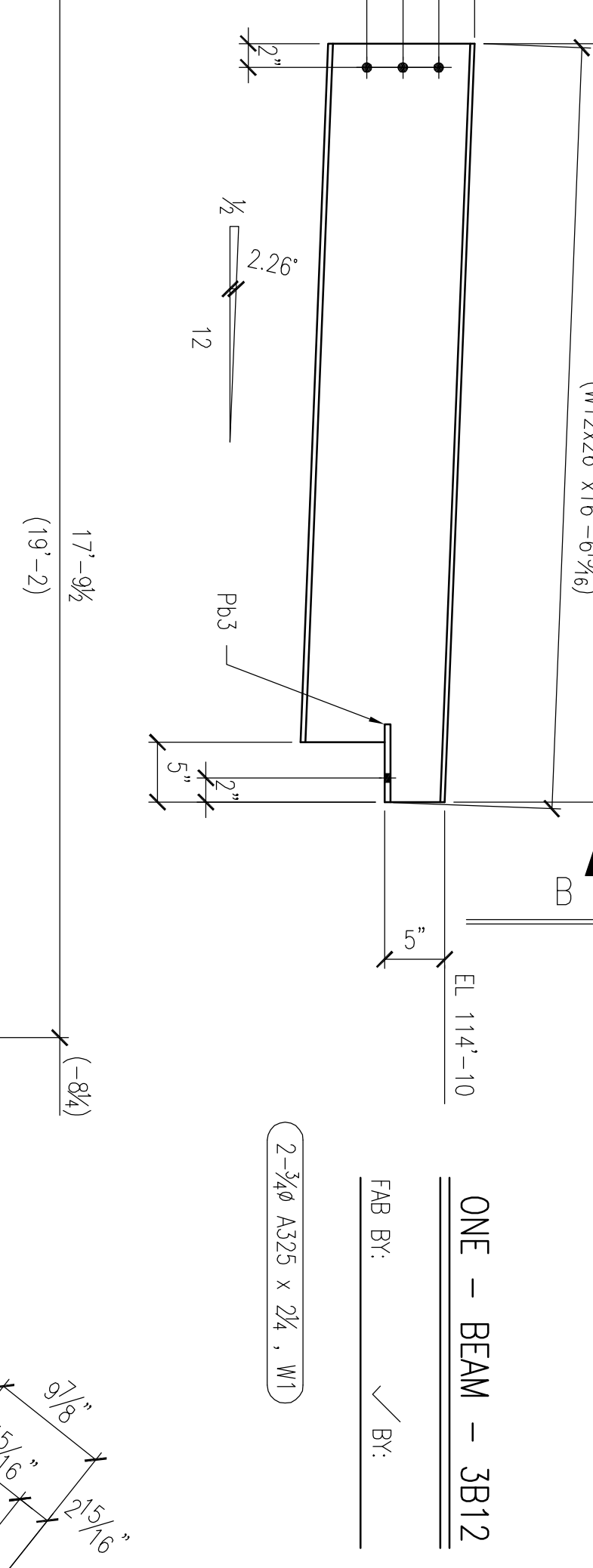
(W14x30 x 19'-5 1/2)  
 (19'-0)  
 CLOUDED HOLES N/S @ 3B3  
 F/S @ 3B4  
 4'-10 1/2  
 9'-10 1/2  
 14'-10 1/2  
 19'-5 1/2  
 6-3/4" A325 x 2, W1  
 ONE - BEAM - 3B3  
 ONE - BEAM - 3B4  
 FAB BY: ✓ BY:



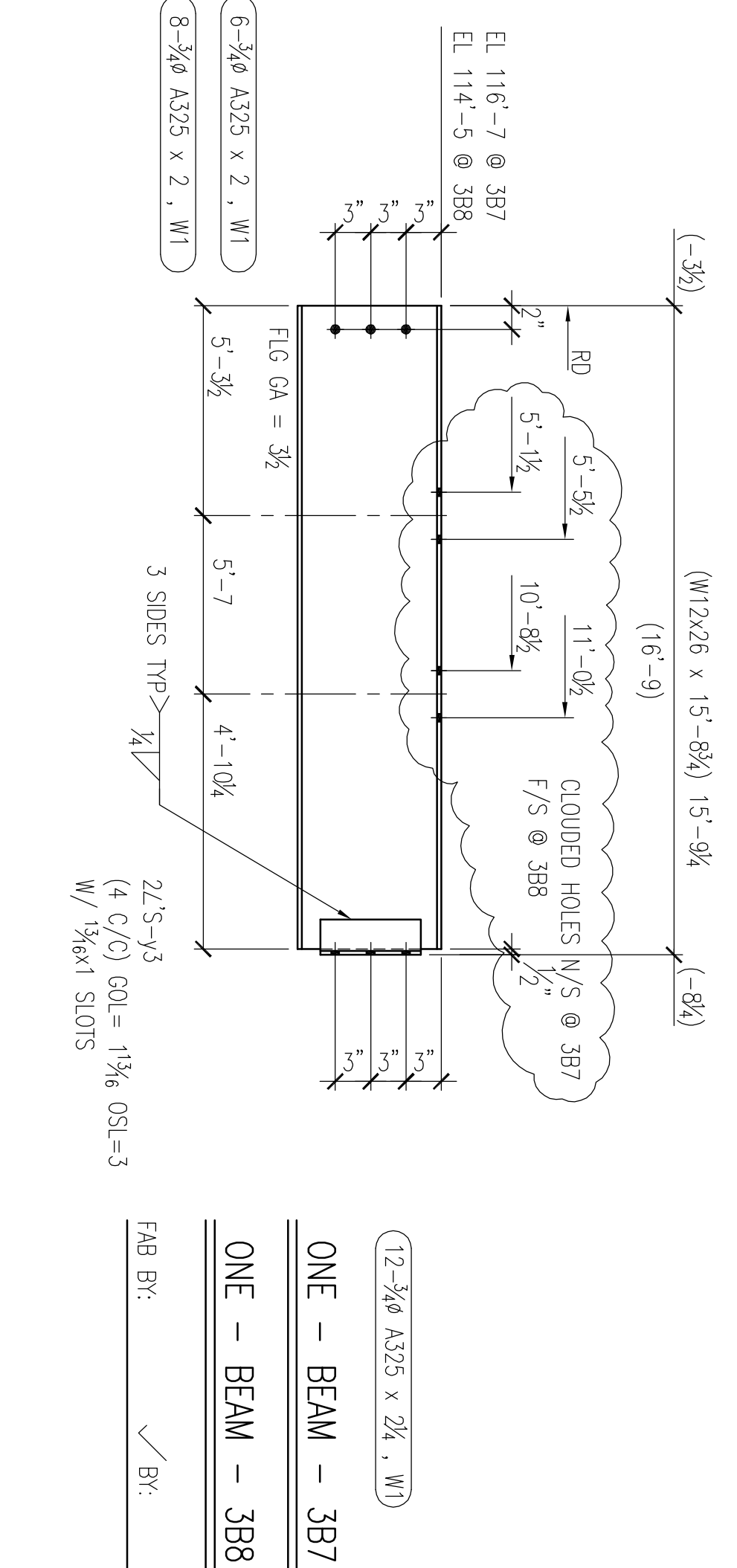
(W12x26 x 16'-6 3/8)  
 (17'-4)  
 CLOUDED HOLES N/S @ 3B12  
 F/S @ 3B13  
 16'-0 1/2  
 16'-6 3/8  
 17'-4  
 2-3/4" A325 x 2, W1  
 ONE - BEAM - 3B12  
 FAB BY: ✓ BY:



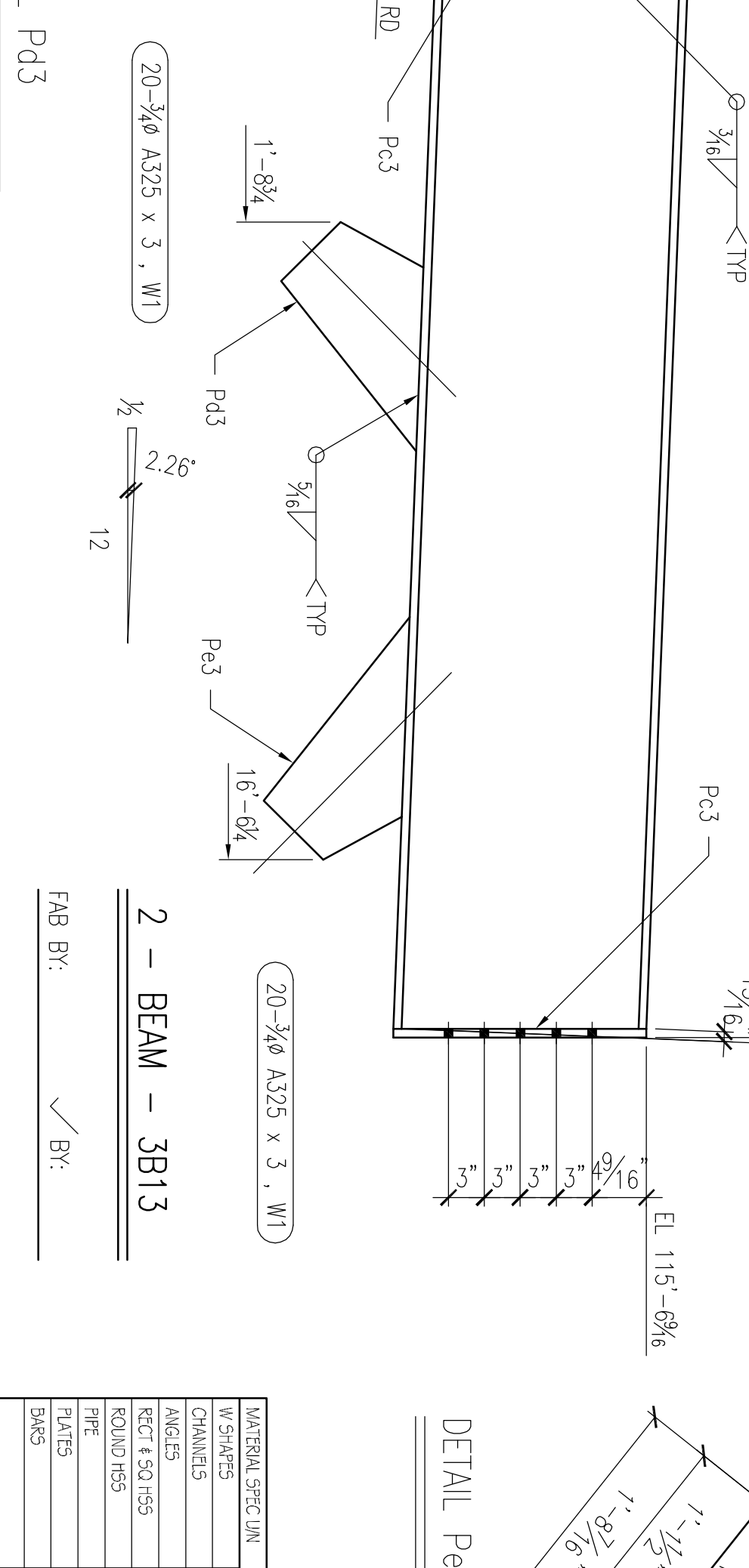
(W12x26 x 18'-5)  
 (19'-0)  
 CLOUDED HOLES N/S @ 3B5  
 F/S @ 3B6  
 4'-10 1/2  
 9'-10 1/2  
 14'-10 1/2  
 18'-5  
 6-3/4" A325 x 2, W1  
 ONE - BEAM - 3B5  
 ONE - BEAM - 3B6  
 FAB BY: ✓ BY:



(W21x68 x 17'-9)  
 (19'-2)  
 CLOUDED HOLES N/S @ 3B13  
 F/S @ 3B14  
 16'-0 1/2  
 17'-9  
 19'-2  
 20-3/4" A325 x 3, W1  
 ONE - BEAM - 3B13  
 FAB BY: ✓ BY:



(W12x26 x 15'-9 1/4)  
 (16'-9)  
 CLOUDED HOLES N/S @ 3B7  
 F/S @ 3B8  
 5'-5 1/2  
 10'-8 1/2  
 15'-9 1/4  
 6-3/4" A325 x 2, W1  
 ONE - BEAM - 3B7  
 ONE - BEAM - 3B8  
 FAB BY: ✓ BY:



(W21x68 x 21'-4)  
 (19'-2)  
 CLOUDED HOLES N/S @ 3B10  
 F/S @ 3B11  
 16'-0 1/2  
 17'-4  
 19'-2  
 20-3/4" A325 x 3, W1  
 ONE - BEAM - 3B10  
 ONE - BEAM - 3B11  
 FAB BY: ✓ BY:

**NOTE:**  
 VERIFY ALL DIMENSIONS, CONDITIONS & QUANTITIES  
 THE FINAL USER OR THEIR REPRESENTATIVE OR AN INTERPRETER OF THE FINAL USER IS RESPONSIBLE FOR THE  
 INDICATED REVIEWING THESE DRAWINGS AND VERIFYING ALL DIMENSIONS, CONDITIONS AND CONDITIONS FOR REVIEW BEFORE  
 TO REVISIONS OF MATERIALS, BEHAVIOR AND TOLERANCES. THE USER SHALL BE RESPONSIBLE FOR THE REVIEWING  
 FOR THE ACCURACY OF THE INFORMATION PROVIDED.

**NOTE:**  
 MATERIALS WILL BE FABRICATED IN ACCORDANCE WITH THE SPECIFICATIONS AND CONDITIONS OF THE WORK ORDER AND MATERIALS  
 WILL NOT BE ACCEPTED UNLESS SPECIFIED AND APPROVED BY NICKS WELDING & FABRICATING, INC. IN WRITTEN REPORT ANY  
 SUCH CONDITIONS ARE INCORPORATED.

NO.	REVISIONS	DATE	BY	CHECKED BY
1	ISSUE FOR FABRICATION			
2	REVISION			
3	REVISION			

NO.	REVISIONS	DATE	BY	CHECKED BY
1	ISSUE FOR FABRICATION			
2	REVISION			
3	REVISION			

NO.	REVISIONS	DATE	BY	CHECKED BY
1	ISSUE FOR FABRICATION			
2	REVISION			
3	REVISION			

NO.	REVISIONS	DATE	BY	CHECKED BY
1	ISSUE FOR FABRICATION			
2	REVISION			
3	REVISION			

NO.	REVISIONS	DATE	BY	CHECKED BY
1	ISSUE FOR FABRICATION			
2	REVISION			
3	REVISION			

NO.	REVISIONS	DATE	BY	CHECKED BY
1	ISSUE FOR FABRICATION			
2	REVISION			
3	REVISION			

NO.	REVISIONS	DATE	BY	CHECKED BY
1	ISSUE FOR FABRICATION			
2	REVISION			
3	REVISION			

NO.	REVISIONS	DATE	BY	CHECKED BY
1	ISSUE FOR FABRICATION			
2	REVISION			
3	REVISION			

NO.	REVISIONS	DATE	BY	CHECKED BY
1	ISSUE FOR FABRICATION			
2	REVISION			
3	REVISION			

NO.	REVISIONS	DATE	BY	CHECKED BY
1	ISSUE FOR FABRICATION			
2	REVISION			
3	REVISION			

NO.	REVISIONS	DATE	BY	CHECKED BY
1	ISSUE FOR FABRICATION			
2	REVISION			
3	REVISION			

NO.	REVISIONS	DATE	BY	CHECKED BY
1	ISSUE FOR FABRICATION			
2	REVISION			
3	REVISION			

NO.	REVISIONS	DATE	BY	CHECKED BY
1	ISSUE FOR FABRICATION			
2	REVISION			
3	REVISION			

NO.	REVISIONS	DATE	BY	CHECKED BY
1	ISSUE FOR FABRICATION			
2	REVISION			
3	REVISION			

NO.	REVISIONS	DATE	BY	CHECKED BY
1	ISSUE FOR FABRICATION			
2	REVISION			
3	REVISION			

NO.	REVISIONS	DATE	BY	CHECKED BY
1	ISSUE FOR FABRICATION			
2	REVISION			
3	REVISION			

NO.	REVISIONS	DATE	BY	CHECKED BY
1	ISSUE FOR FABRICATION			
2	REVISION			
3	REVISION			

NO.	REVISIONS	DATE	BY	CHECKED BY
1	ISSUE FOR FABRICATION			
2	REVISION			
3	REVISION			

NO.	REVISIONS	DATE	BY	CHECKED BY
1	ISSUE FOR FABRICATION			
2	REVISION			
3	REVISION			

NO.	REVISIONS	DATE	BY	CHECKED BY
1	ISSUE FOR FABRICATION			
2	REVISION			
3	REVISION			

NO.	REVISIONS	DATE	BY	CHECKED BY
1	ISSUE FOR FABRICATION			
2	REVISION			
3	REVISION			

NO.	REVISIONS	DATE	BY	CHECKED BY
1	ISSUE FOR FABRICATION			
2	REVISION			
3	REVISION			

NO.	REVISIONS	DATE	BY	CHECKED BY
1	ISSUE FOR FABRICATION			
2	REVISION			
3	REVISION			

NO.	REVISIONS	DATE	BY	CHECKED BY
1	ISSUE FOR FABRICATION			
2	REVISION			
3	REVISION			

NO.	REVISIONS	DATE	BY	CHECKED BY
1	ISSUE FOR FABRICATION			
2	REVISION			
3	REVISION			

NO.	REVISIONS	DATE	BY	CHECKED BY
1	ISSUE FOR FABRICATION			
2	REVISION			
3	REVISION			

NO.	REVISIONS	DATE	BY	CHECKED BY
1	ISSUE FOR FABRICATION			
2	REVISION			
3	REVISION			

NO.	REVISIONS	DATE	BY	CHECKED BY
1	ISSUE FOR FABRICATION			
2	REVISION			
3	REVISION			

NO.	REVISIONS	DATE	BY	CHECKED BY
1	ISSUE FOR FABRICATION			
2	REVISION			
3	REVISION			

NO.	REVISIONS	DATE	BY	CHECKED BY
1	ISSUE FOR FABRICATION			
2	REVISION			
3	REVISION			

NO.	REVISIONS	DATE	BY	CHECKED BY
1	ISSUE FOR FABRICATION			
2	REVISION			
3	REVISION			

NO.	REVISIONS	DATE	BY	CHECKED BY
1	ISSUE FOR FABRICATION			
2	REVISION			
3	REVISION			

NO.	REVISIONS	DATE	BY	CHECKED BY
1	ISSUE FOR FABRICATION			
2	REVISION			
3	REVISION			

NO.	REVISIONS	DATE	BY	CHECKED BY
1	ISSUE FOR FABRICATION			
2	REVISION			
3	REVISION			

NO.	REVISIONS	DATE	BY	CHECKED BY
1	ISSUE FOR FABRICATION			
2	REVISION			
3	REVISION			

NO.	REVISIONS	DATE	BY	CHECKED BY
1	ISSUE FOR FABRICATION			
2	REVISION			
3	REVISION			

NO.	REVISIONS	DATE	BY	CHECKED BY
1	ISSUE FOR FABRICATION			
2	REVISION			
3	REVISION			

NO.	REVISIONS	DATE	BY	CHECKED BY
1	ISSUE FOR FABRICATION			
2	REVISION			
3	REVISION			

NO.	REVISIONS	DATE	BY	CHECKED BY
1	ISSUE FOR FABRICATION			
2	REVISION			
3	REVISION			

NO.	REVISIONS	DATE	BY	CHECKED BY
1	ISSUE FOR FABRICATION			
2	REVISION			
3	REVISION			

NO.	REVISIONS	DATE	BY	CHECKED BY
1	ISSUE FOR FABRICATION			
2	REVISION			
3	REVISION			

NO.	REVISIONS	DATE
-----	-----------	------