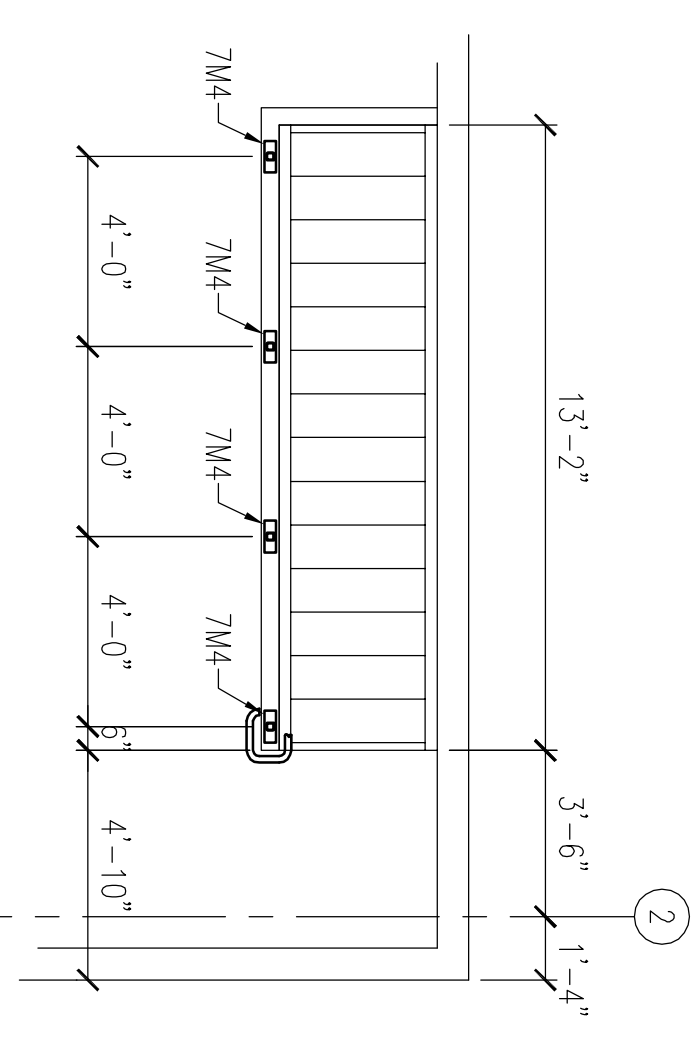
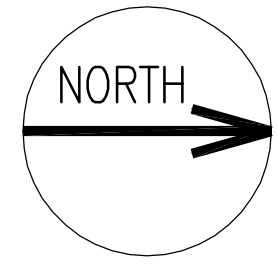
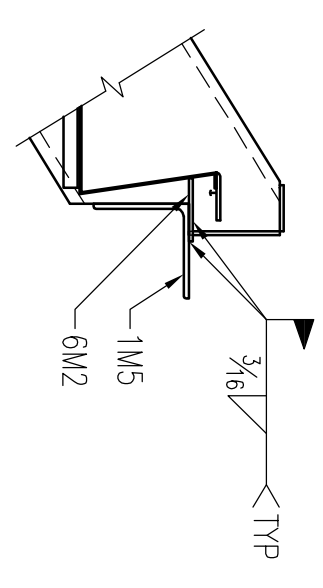
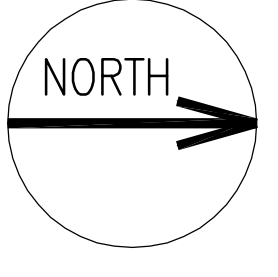


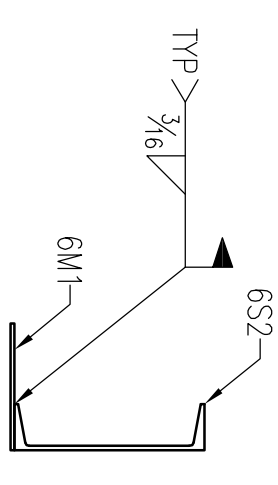
STAIR AND RAILING PLAN



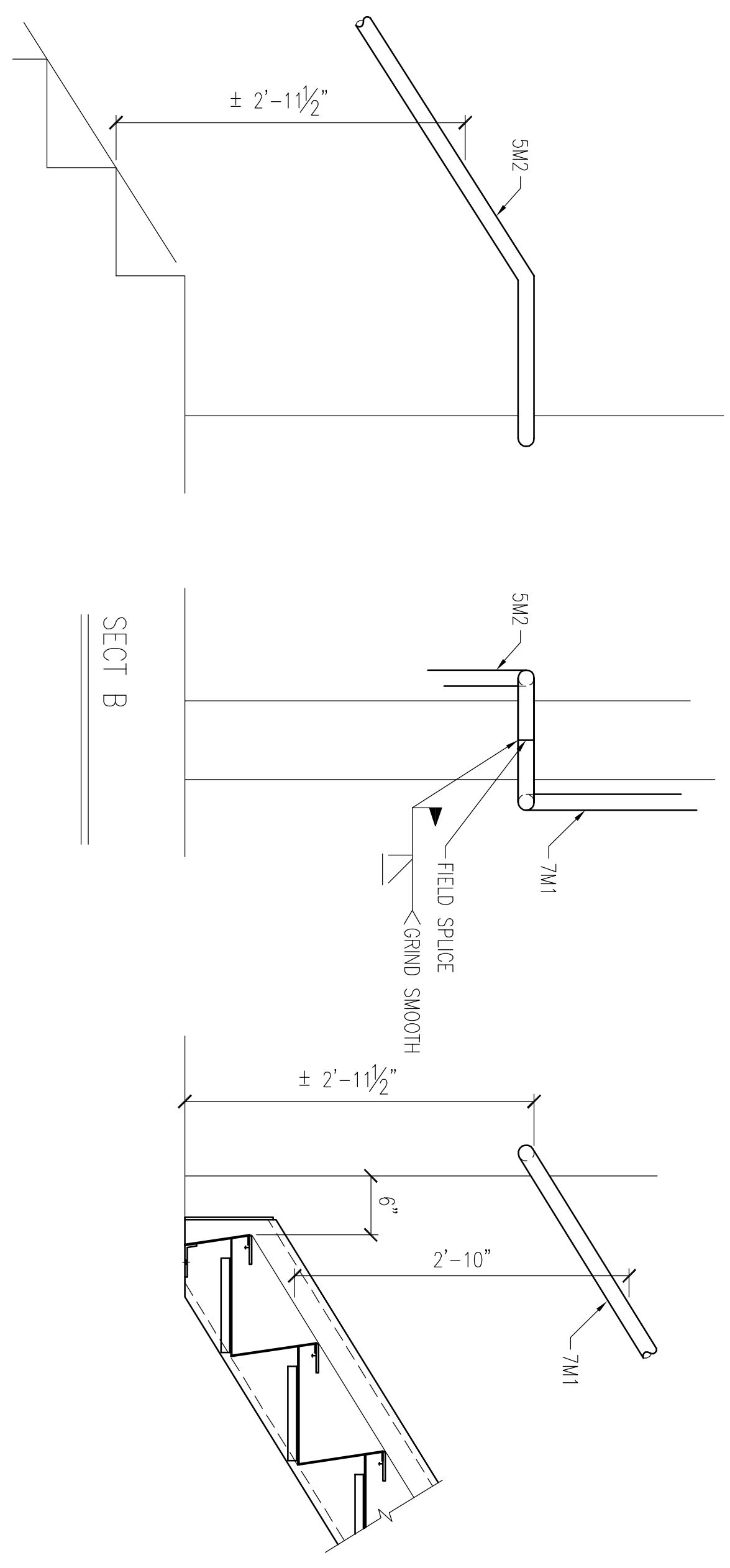
UPPER LEVEL GUARD WALL PLAN



SECT A



SECT C



SECT B

NOTE:
VERIFY ALL DIMENSIONS, CONDITIONS & QUANTITIES THE FINAL REVIEW OF THESE DRAWINGS IS TO REPRESENT OUR INTERPRETATION OF THE DESIGN MEANS AS IN ACCORDANCE WITH THE CONTRACT DOCUMENTS. THE CONTRACTOR SHALL BE RESPONSIBLE FOR VERIFYING THE DESIGN MEANS AND VERIFYING ALL DIMENSIONS AND CONDITIONS FOR REVISION PRIOR TO FABRICATION OF MATERIALS. NICKS WELDING AND FABRICATING, INC. MAKES NO CLAIMS AND TAKES NO RESPONSIBILITY FOR THE ACCURACY OR COMPLETENESS OF THE INFORMATION PRESENTED.

NOTE:
NOTICE TO CONTRACTOR / ERECTORS: MATERIALS WILL BE PLACED AS SHOWN ON THIS DRAWING. MAKE CHECKS FOR CORRECTING WORK OR REPLACED MATERIALS WILL NOT BE ACCEPTED UNLESS EXPRESS AUTHORIZATION BY NICKS WELDING AND FABRICATING, INC. IN WRITING BEFORE ANY SUCH COSTS ARE INCURRED.

MATERIAL SPEC U/N		REVISIONS	
W SHAPES	A992	DATE:	JOB NAME:
CHANNELS	A36	DATE:	LOCATION:
ANGLES & SQ HSS	A36	DATE:	CONTRACTOR:
ROUND HSS	A500B	DATE:	ARCHITECT:
PIPE	A53B	DATE:	ENGINEER:
PLATES	A36	DATE:	DRAWN BY:
BARNS	A36	DATE:	CHECKED BY:
FINISH:	1 GREY SHOP COAT U.N.G.	DATE:	
HOLES:	3/8" & U.N.G.	DATE:	

SHEET DESCRIPTION: ERECTION PLAN
NICKS WELDING & FABRICATING, INC.
 108847 PROSPECT RD. HIXTOWN, WI 54635
 PH: (715) 963-2200 FAX: (715) 963-2201