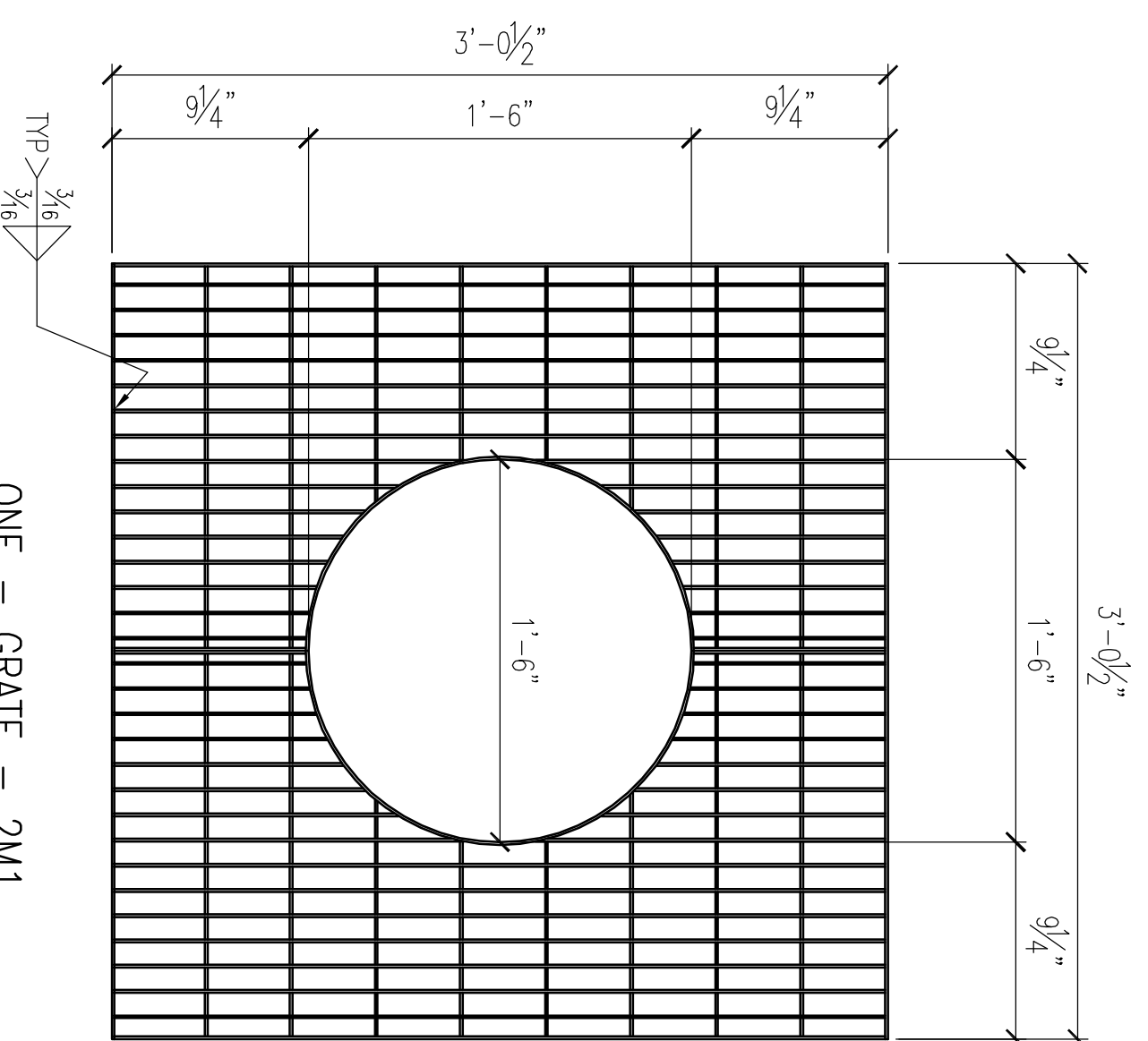
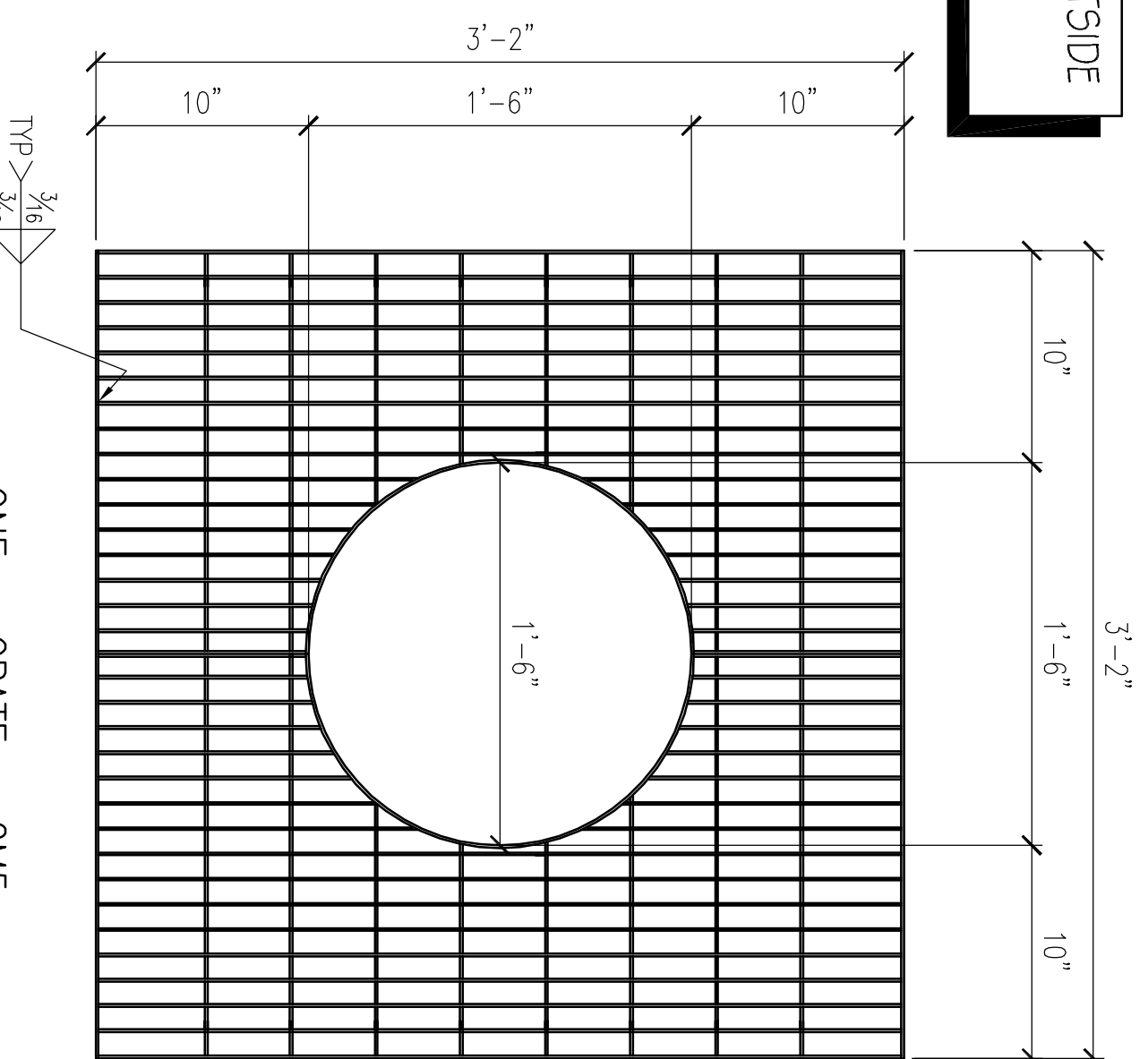


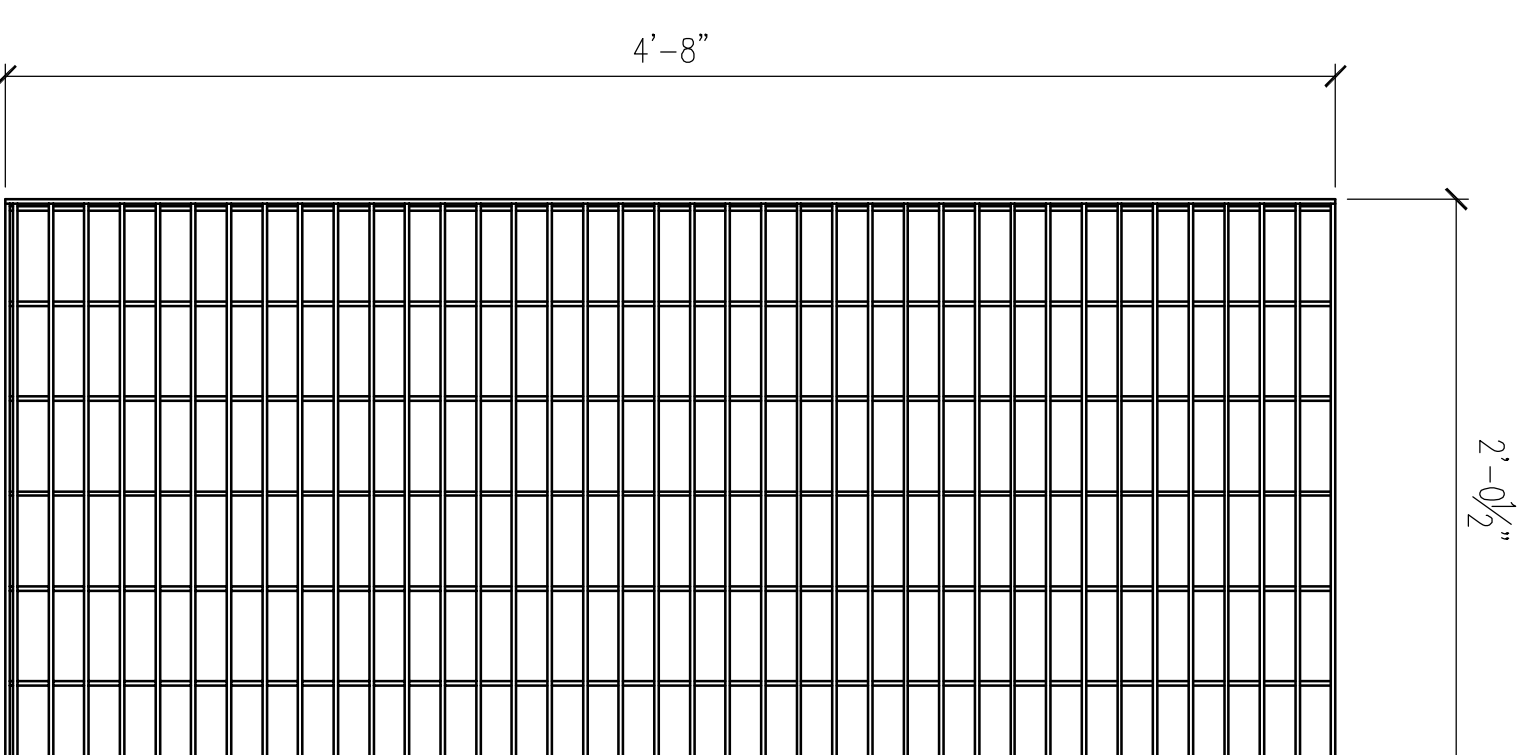
NOTE: DIM OF GRATES ARE TO OUTSIDE OF 1/4" x 1/8" BANDING BAR



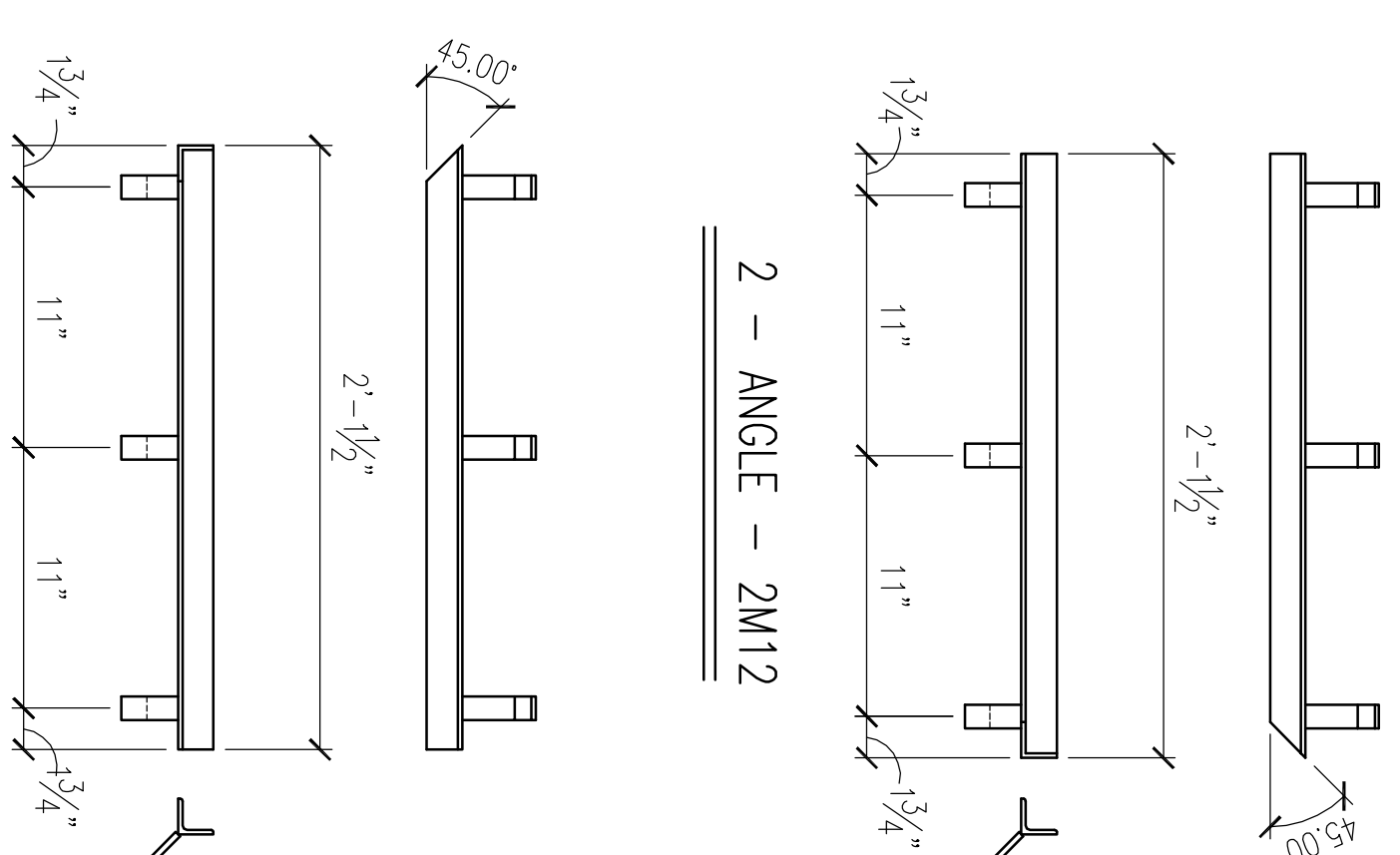
ONE - GRATE - 2M1



ONE - GRATE - 2M5

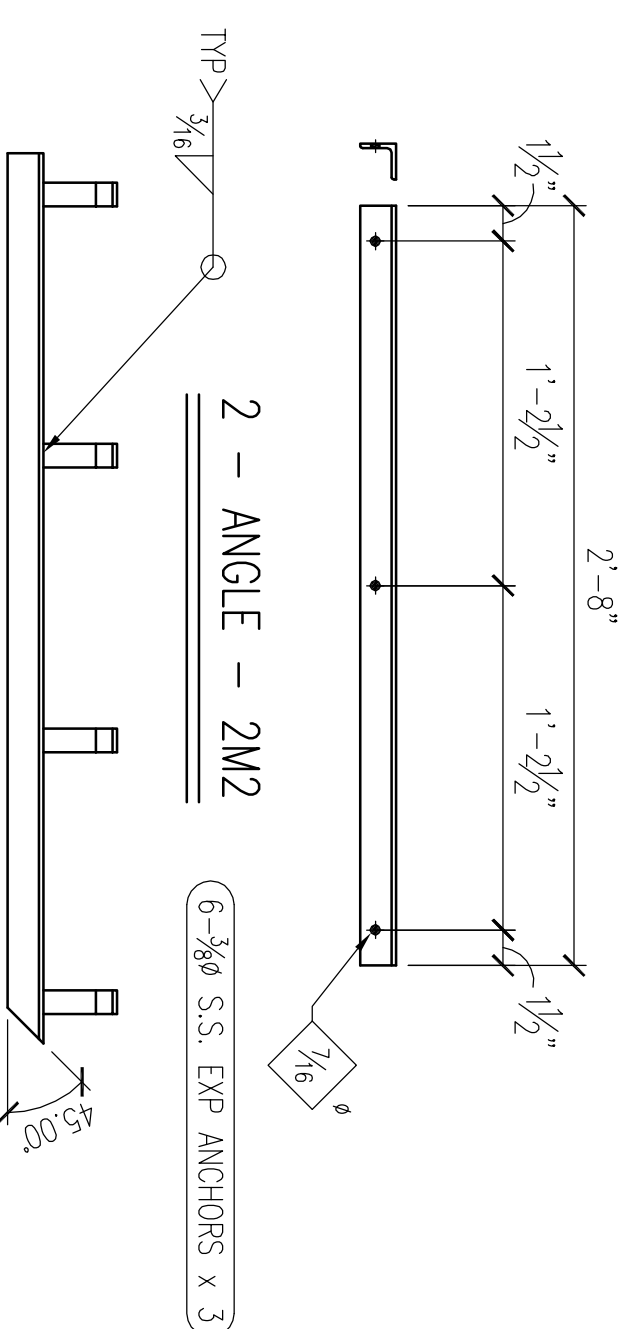


2 - GRATE - 2M11

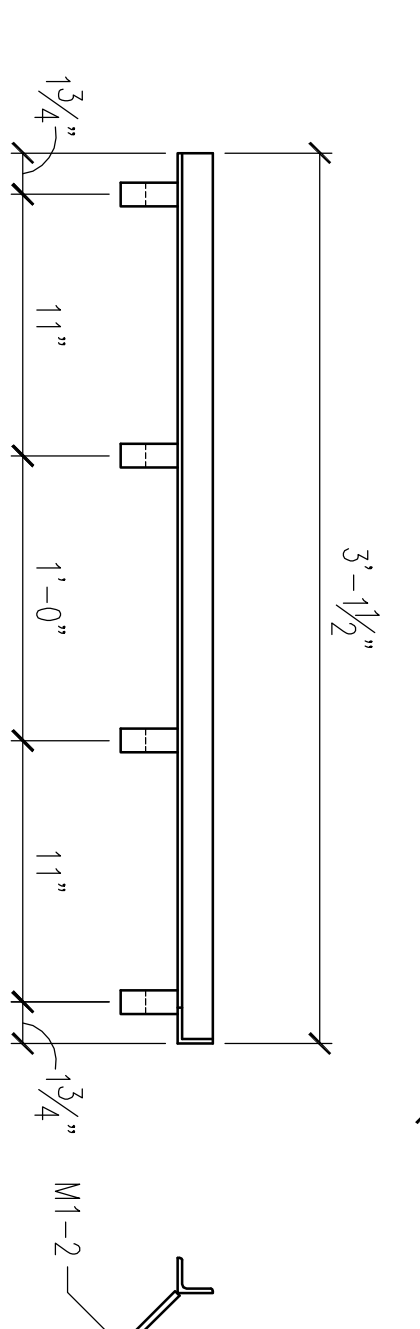


2 - ANGLE - 2M12

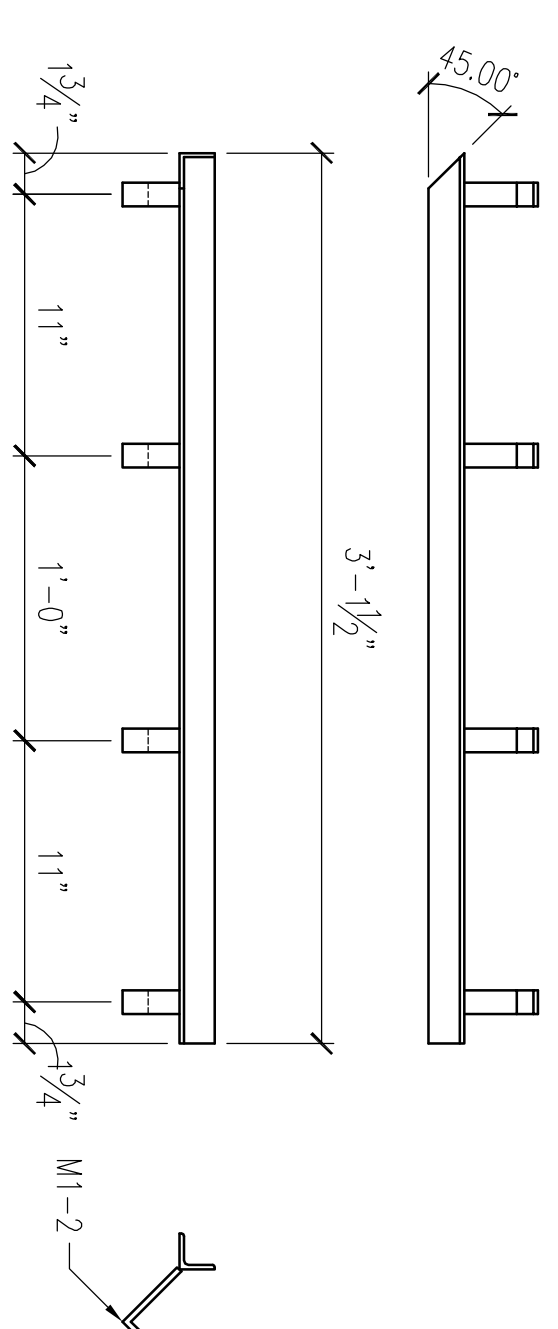
2 - ANGLE - 2M13



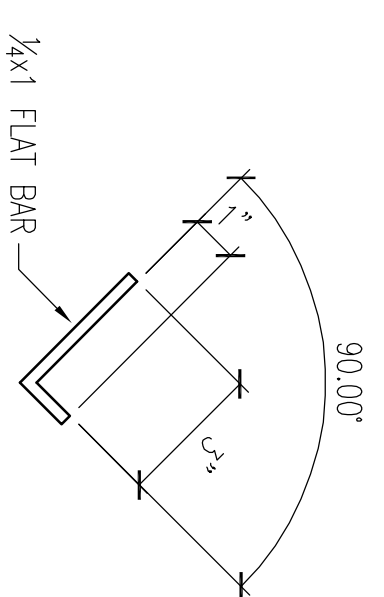
2 - ANGLE - 2M2



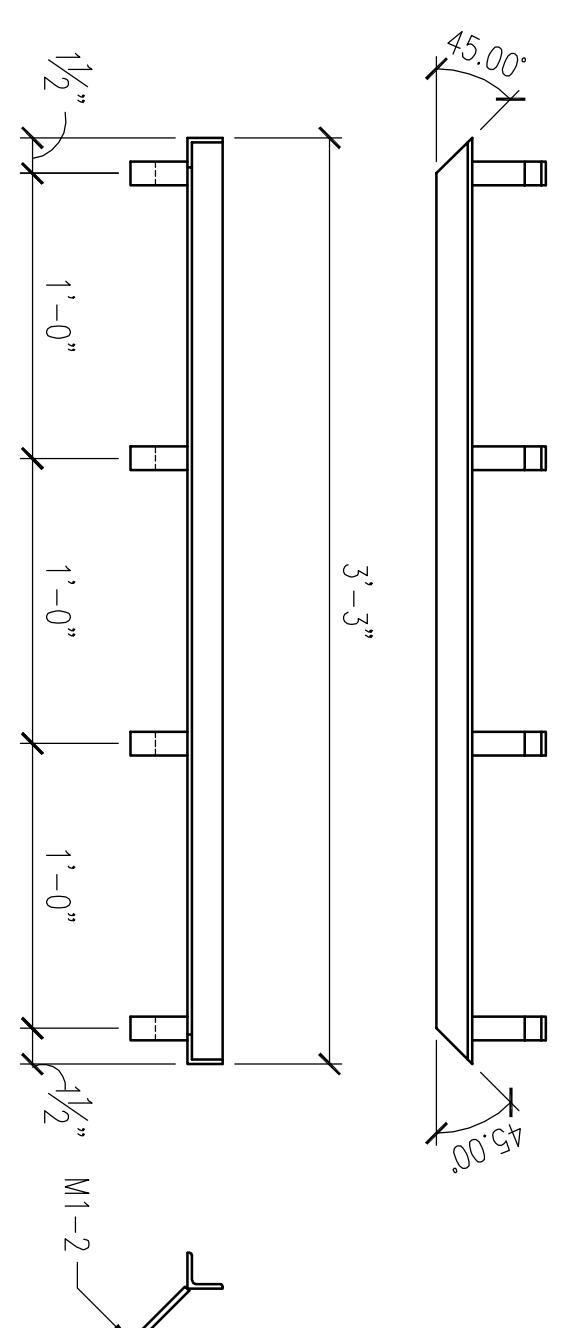
ONE - ANGLE - 2M3



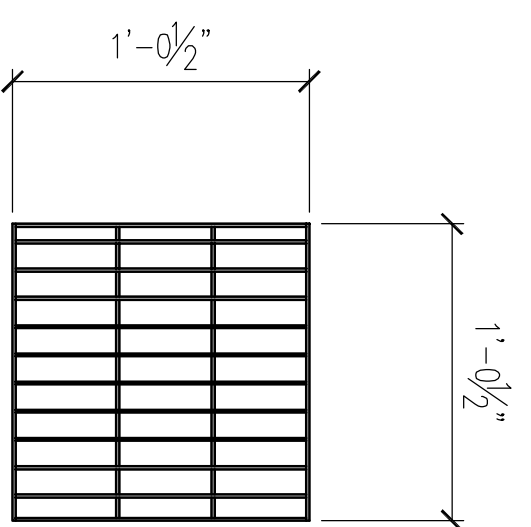
ONE - ANGLE - 2M4



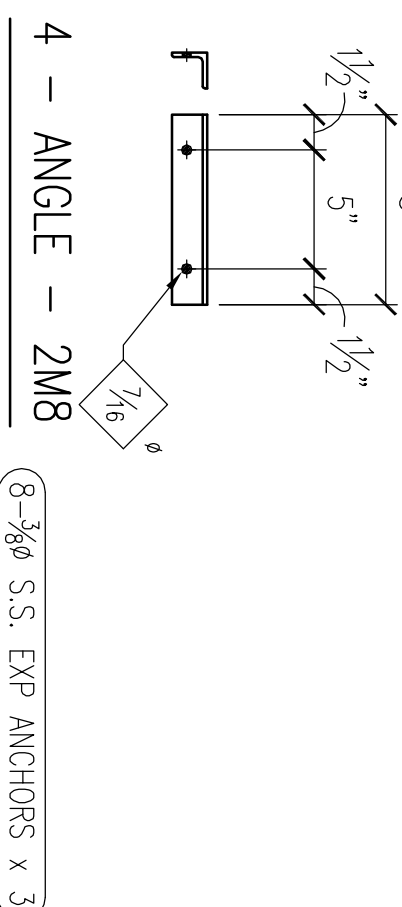
M1-2



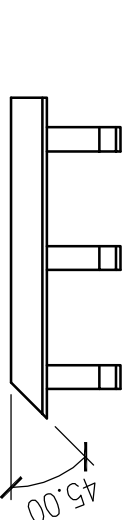
4 - ANGLE - 2M6



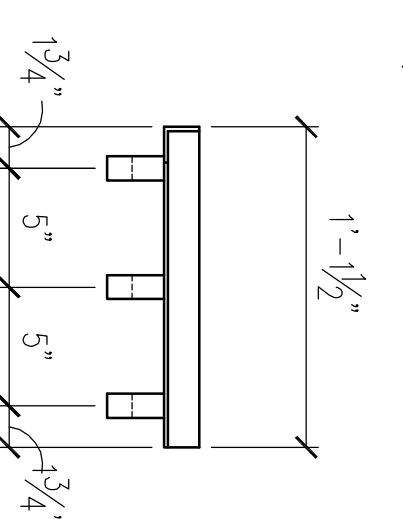
2 - GRATE - 2M7



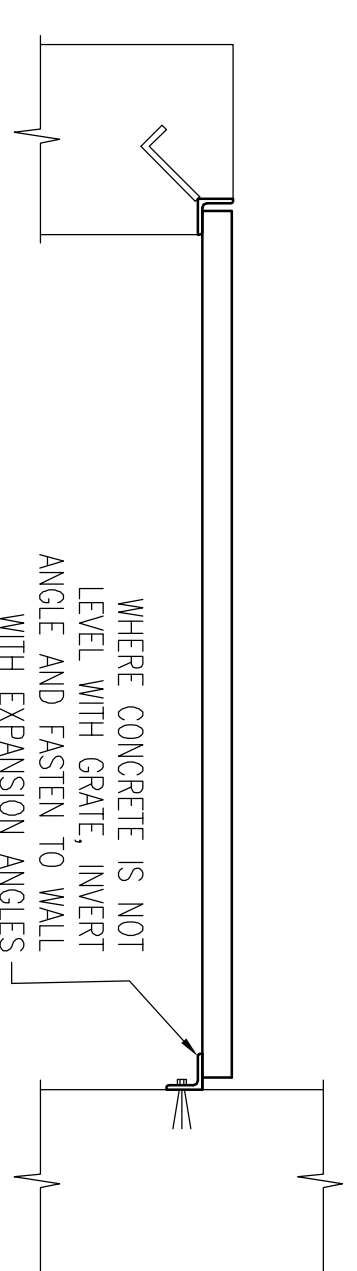
4 - ANGLE - 2M8



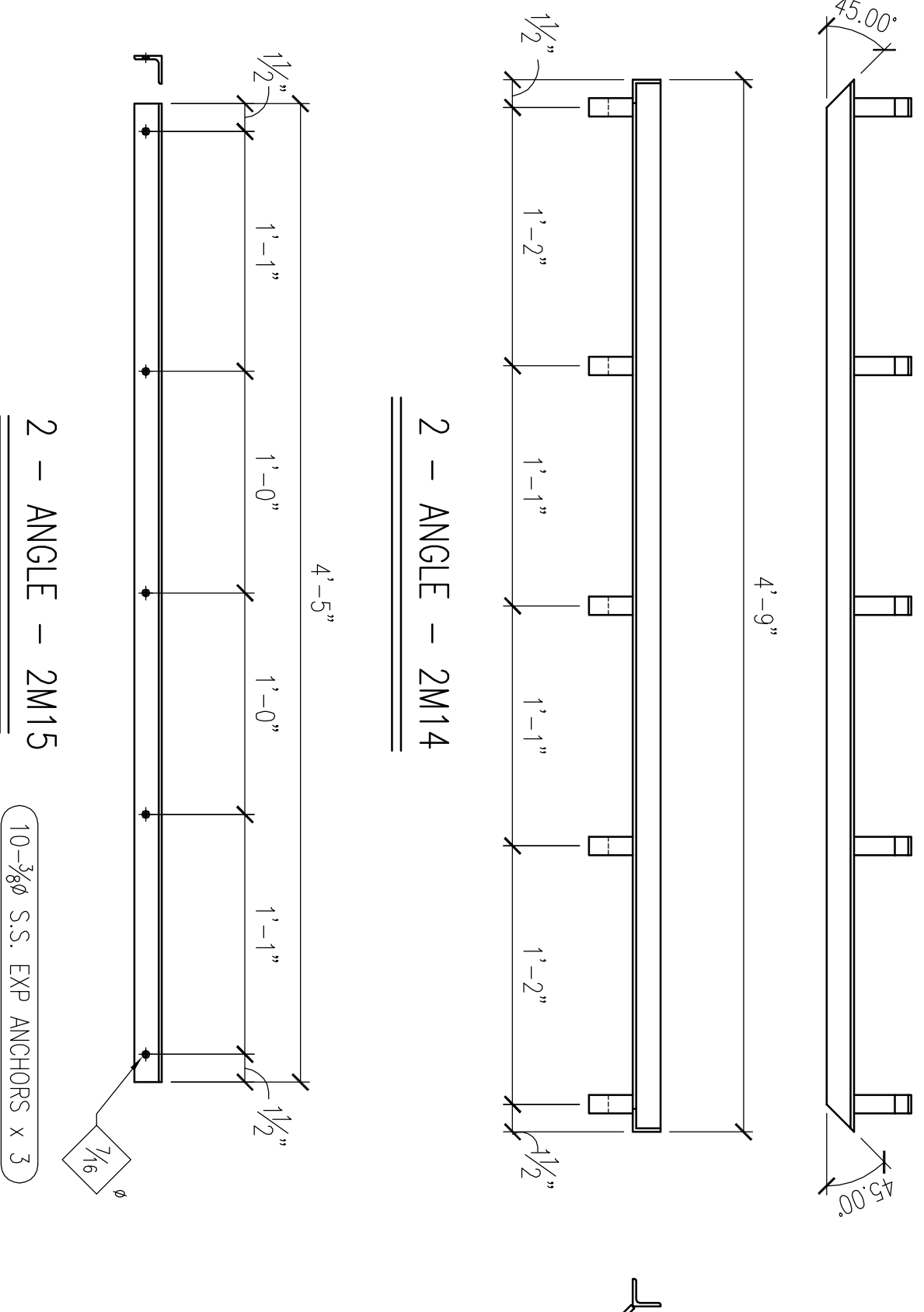
2 - ANGLE - 2M9



2 - ANGLE - 2M10



WHERE CONCRETE IS NOT LEVEL WITH GRATE, INVERT ANGLE AND FASTEN TO WALL WITH EXPANSION ANGLES



2 - ANGLE - 2M14

2 - ANGLE - 2M15

(10-3/8" S.S. EXP ANCHORS x 3)

MATERIAL SPEC. UN.		JOB NAME	
W/SHAPES	A392	LOCATION	
CHANNELS	A36	CONTRACTOR	
ANGLES	A36	DESIGNER	
RECT. S/S RIS	A500B	ENGINEER	
ROUND RIS	A500B	DRAWN BY	
PIPE	A36	DATE	
PLATES	A36	DATE	
BMS	A36	DATE	
FINISH	1 GREY SPOUT COAT U.A.O.	DATE	
COLORS	1/2" DIAM.	DATE	

VERIFY ALL DIMENSIONS, CONDITIONS & QUANTITIES. THE INSTALLER OF THESE DRAWINGS IS TO GENERAL OVERSIGHT OF THE DESIGNER AS IT RELATES TO THE STEEL COMPONENTS OF THE PROJECT. THE GENERAL CONTRACTOR AND ARCHITECT ENGINEER ARE RESPONSIBLE FOR PROVIDING ALL MATERIALS, INCLUDING THE BANDING AND ANCHORS, AND FOR THE CORRECT INSTALLATION FOR THE PROTECTION OF MATERIALS. ALSO PROVIDING THE METHODS TO CLAMP AND TIGHTEN THE BANDING AND ANCHORS FOR THE PROTECTING OR CONNECTIONS OF THE INFORMATION PROVIDED.

NOTICE: VERIFY ALL DIMENSIONS, CONDITIONS & QUANTITIES. MATERIALS WILL BE PLACED AS SHOWN ON THIS DRAWING. CHECK CHANGES FOR CORRECTIVE WORK OR STOP WORK. MATERIALS WILL NOT BE ACCEPTED UNLESS EXPRESSLY AUTHORIZED BY NICKS WELDING & FABRICATING, INC. IN WRITING. BEFORE ANY SUCH CHANGES ARE MADE.

NOTICE: VERIFY ALL DIMENSIONS, CONDITIONS & QUANTITIES.

SHEET DESCRIPTION: MISC		JOB No:	
NICKS WELDING & FABRICATING, INC.		825	
80847 PROSPECT RD. HILTON, WI 54635		SHEET No:	
PH: (715) 563-2200 FAX: (715) 563-2201		2	
REVISONS		DATE	
DATE	DATE	DATE	DATE
DATE	DATE	DATE	DATE
DATE	DATE	DATE	DATE
DATE	DATE	DATE	DATE